



Coexistence Filter for RF Overlay, GPON, and XG(S)PON Model# MX-G-X-PON-RFO

LGX Module w/ WDM Filters illustrated



(All parameters are referenced without connectors. Typical connector loss 0.25 dB/pair)

Parameters	Specifications	Unit
GPON Band	1290~1330 / 1480~1500	nm
XGPON Band	1260~1280 / 1575~1580	nm
Video (1550)	1525~1560	nm
GPON Band insertion loss	< 1.0/1.5	dB
XGSPON Band insertion loss	< 1.0/1.5	dB
Video Band insertion loss	< 1.0/1.5	dB
Isolation	Com to G, XGS PON \geq 30, Vid \geq 15	dB
PDL (Polarization dependence loss)	\geq 0.5ps/km0.5	dB
PMD (Polarization mode dispersion)	\leq .2	ps
Return Loss	\geq 50	dB
Directivity	\geq 50	dB
Optical Power Handling	+23	dBm
Operating Temperature	-5~70	$^{\circ}$ C
Storage Temperature	-40~85	$^{\circ}$ C
Optical Connector Type (Single)	SC/APC on Sigle LGX Module or 16-way 1RU	
Optical Connector Type (QUAD)	LC/APC on 6-way LGX Module or 32-way 1RU	

Form factor or dimensions may be customized and fit into LGX type modules, tube type, 1RU rack mounted type

Part# **MX-G-X-PON-RFO** Optional: LGX Mounting Plate (holds 3 LGX modules in 1U 19") part# **MX/LGX-3-1R-F**



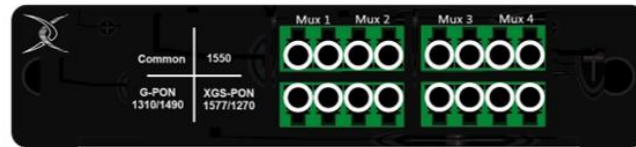
Model: MX-G-X-PON-RFO



Common XG(S)PON GPON Video
 1270/1577 1310/1490 1550

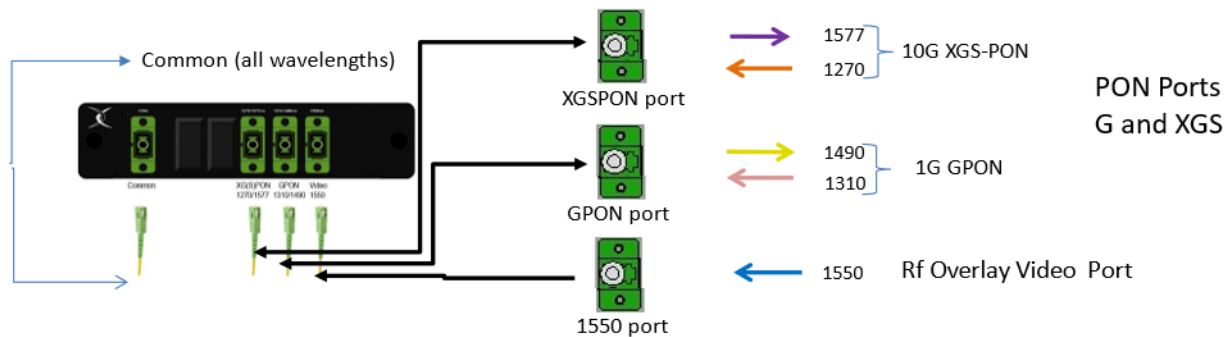
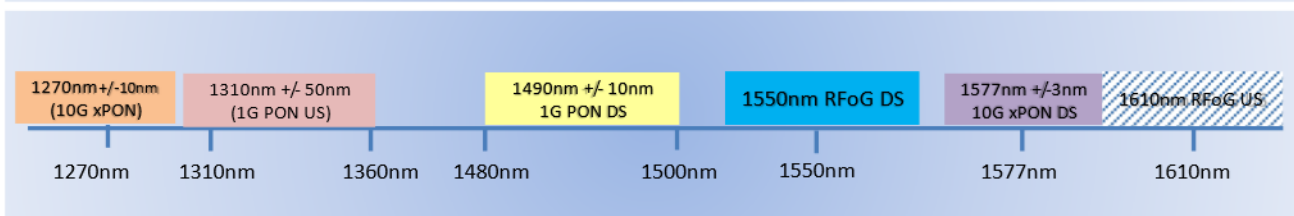
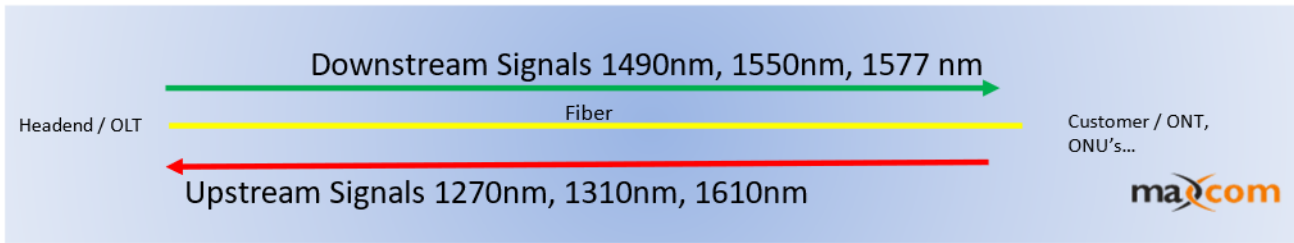


Example Configuration in LGX format.
 Shown above in a Single, available with
 4 in 1 as shown to the right.



4 muxes in 1 LGX Module

WAVELENGTH DETAIL for GPON, xGPON, and RFoG:



Available in Various Housing and Form Factors

Model# MX-G-X-PON-RFO

Standard LGX Module

W/ One Mux

SC/APC Connectors

Model: MX-G-X-PON-RFO

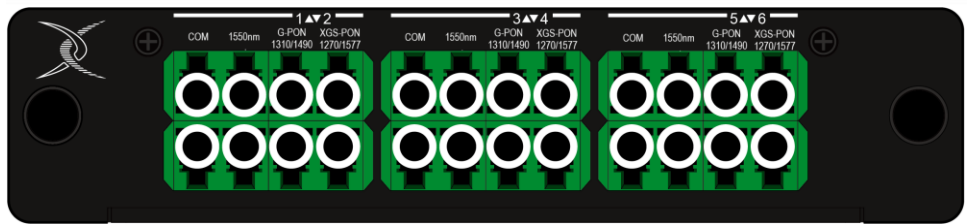


Standard LGX Module

W/ 6 Muxes

LC/APC Connectors

Model: MX-G-X-PON-RFO-X6-LA



LGX Modules fit into Industry Standard LGX Trays and Rack Mounted Devices. Available from Maxcom:

Illustrated Drawings

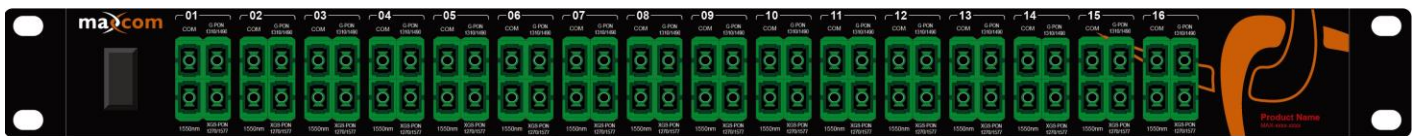
MX/LGX-3-1R-F
Holds 3 Modules



MX/LGX-14-3R-F
Holds 14 Modules



19" 1RU Rack Mount W/ 16 Muxes W/ SC/APC Connectors Model: MX-G-X-PON-RFO-X16-SA



19" 1RU Rack Mount W/ 32 Muxes W/ LC/APC Connectors Model: MX-G-X-PON-RFO-X32-LA

