



MX-ON43G3 FTTB Bi-directional AGC Optical Node

Features

- 1 GHz with 43 dBmV output (3 RF Ports)
- AGC Auto Gain Control Functionality
- Flexible RF Level and Slope Control Features
- DFB 3mW Return Laser
- Available with 16 CWDM Wavelengths
- LED indicators for optical Level
- Excellent Performance Specs

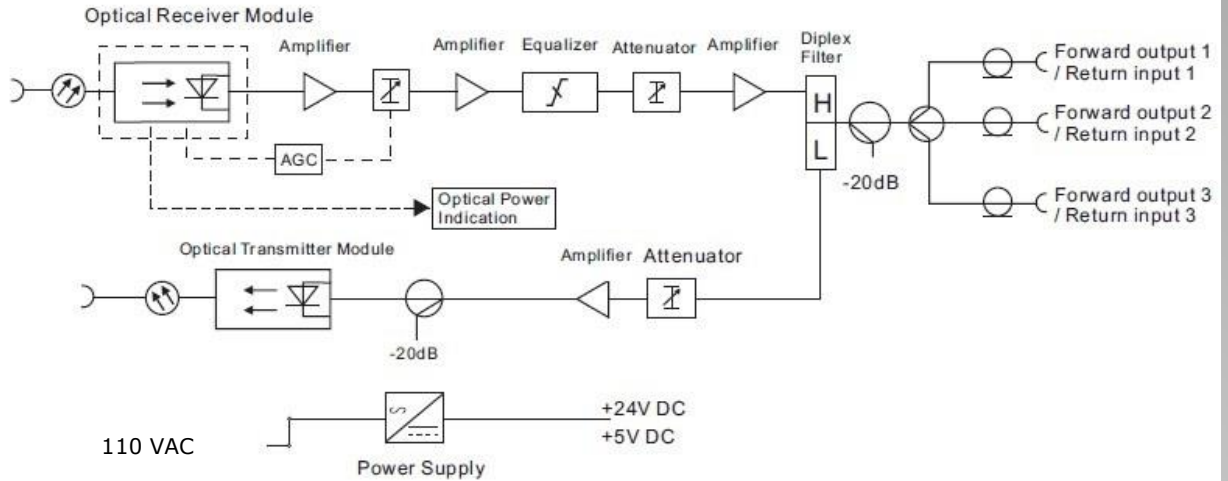


Optical parameter	
Optical wavelength	1200~1600nm
Optical input power range	-8~+3dBm
Optical AGC input power range	-6~+2dBm
Optical connector type	SC/APC
Optical fiber type	Single Mode
Forward RF parameter	
Frequency range	Return 5 to 42 / Forward 54 to 1003MHz
Return loss	47~550MHz≥18 550~1003MHz≥16
Test point	-20dB
Gain adjustment (Standard JXP Pad type)	1~20dB JXP attenuator (selected by user)
Slope adjustment (EQ'S included with unit)	0,6,8,10 EQs are included (or specified by user. Available 2~20dB, in 2dB stepping)
Flatness in band	±0.75dB
RF impedance	75Ω
Nominal output level	≥43dBmV (each of 3 output ports) (with AGC range -6~+2dBm)
Circuit Performance	
CNR OMI=4%@42ch, CENELEC	≥52dB at -2dBm receiving ≥45dB at -8dBm receiving
CTB	≤-62dB
CSO 59 channels	≤-68dB
Return Path	
Isolated DFB laser	1550 ±20nm 4 dBm (typical)
Isolated CWDM laser	1270~1610nm ±3nm 20nm stepping, 4 dBm (typical)
RF Input Level (OMI=4%)	20dBmV ~ 30dBmV
RF Input Test Point	-20dB
Optical Power Indication	LED
General	
Power consumption	AC 90~265V, 47~63Hz
Operating temperature	-4~131°F or -20~55 °C
Storage temperature	-40~158°F or -40~70°C
Size	8.67" X 5.12" X 3.35" (220mmX130mmX85mm)
Weight	1KG or 2.1lb.
Power consumption	15W





Diagram



Ordering information

MX-ON43G3-A-B-C-D



A	B	C	D
Function type	Reverse Laser type	Reverse Wavelength	Reverse Output Power
R: Receiver Only D: Bidi Dual fiber	D: DFB Laser	31:1310nm 47:1470nm 49:1490nm 51:1510nm 53:1530nm 55:1550nm 57:1570nm 59:1590nm 61:1610nm *1270 to 1450nm Also available	1 : 1mW 2 : 2mW 3 : 3mW *comes standard w/ 3mW laser



www.maxcomcorp.com

- MX-ON50G Optical Node
- The MX-ON43 Series Optical Nodes are Designed for Maximum Versatility and Performance. They are ideal for fiber-to-the-building applications. The high RF output, available CWDM Return DFB Lasers, Gain and Slope control (equalizers included), offer the Technician the Flexibility Needed for Individual Customer Situations and Installations.
- Maxcom provides professional optical solutions for both long and short haul transport needs for point-to-point or point-to-multi point locations. Our engineers can help you with any project design and equipment needs. We offer an outstanding warranty on all of our products, along with strong technical support staff.
- Fiber optic technology is constantly changing and Maxcom's goal is to continue to provide the fiber optic solutions and services needed for a better tomorrow.
- Please feel free to contact us with any questions
- 1-877-330-5333 or 209-339-2333
- www.maxcomcorp.com



Corporation office:
2248 Meridian Ste H, Minden, Nv. 89423
Tel: 1-877-330-5333
Email: sales@maxcomcorp.com

Sales office:
209-339-2333

www.maxcomcorp.com

maxcom